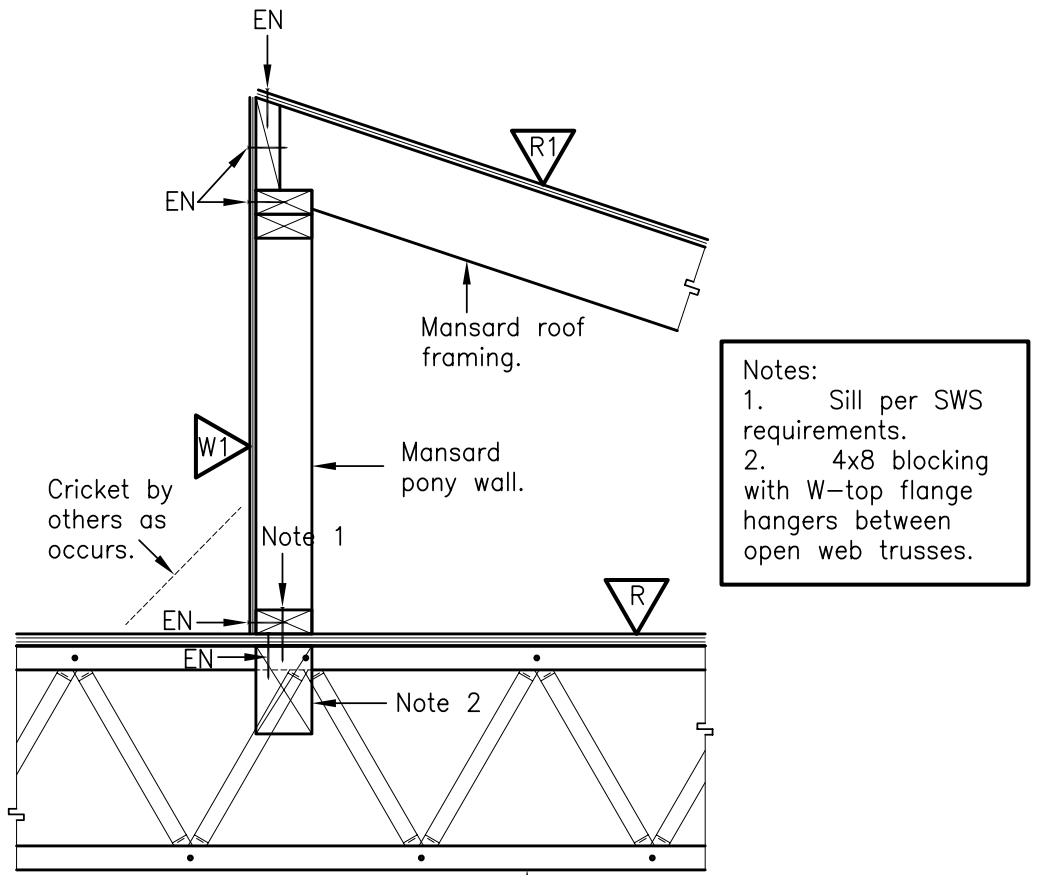
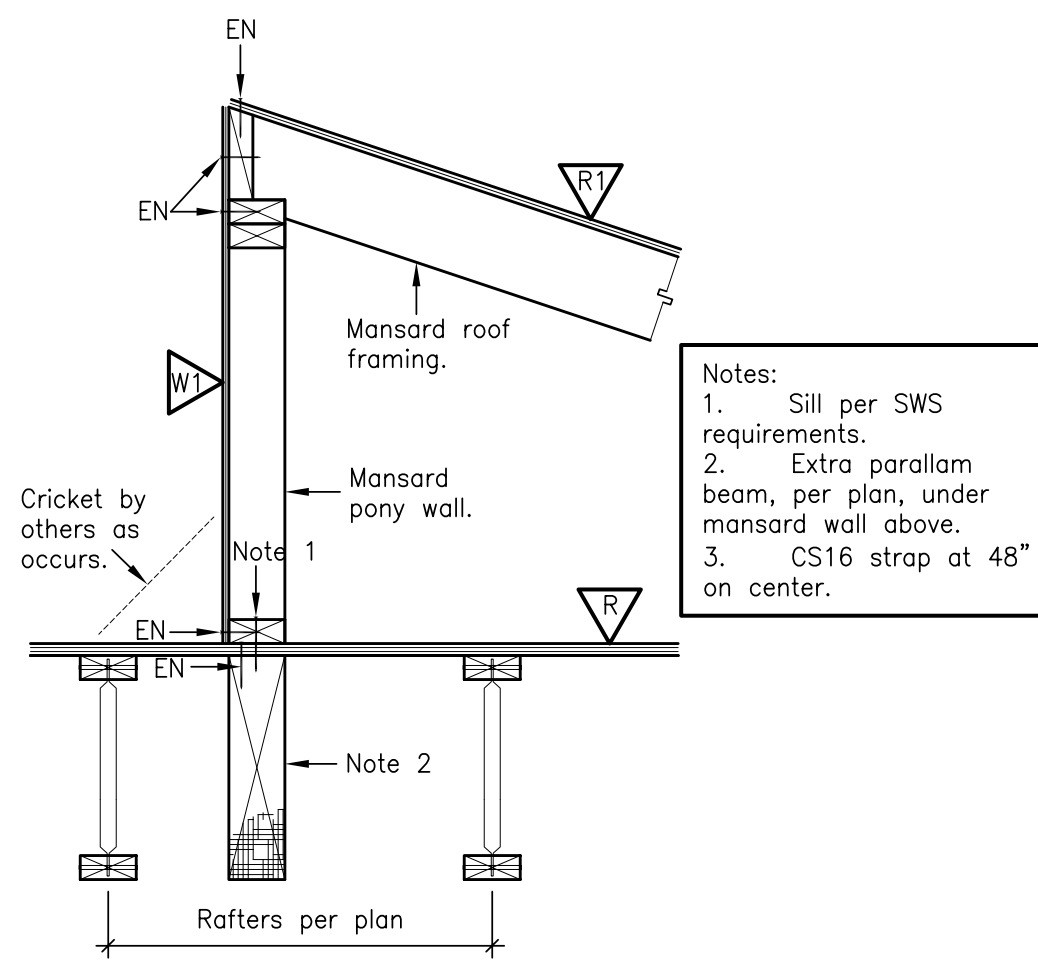


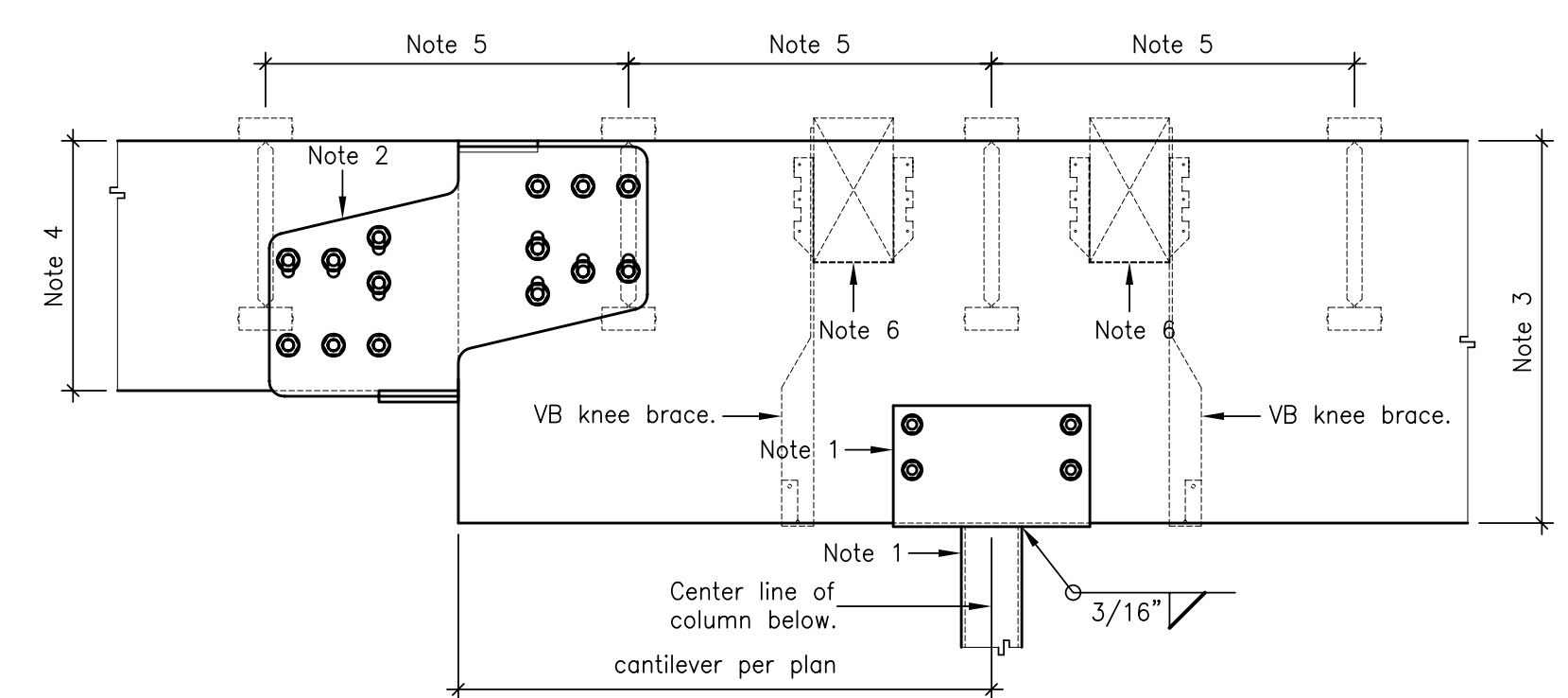
13



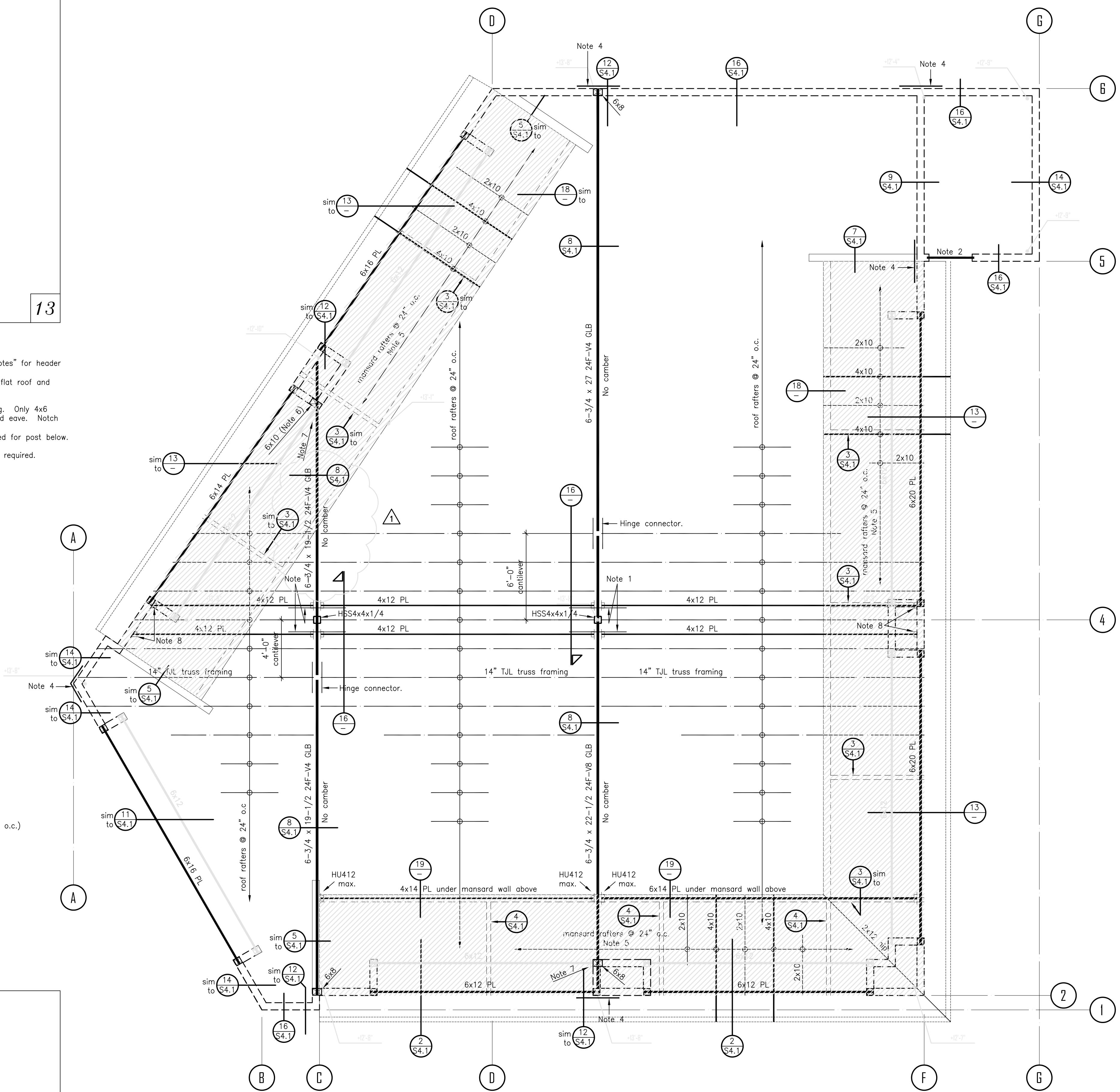
18



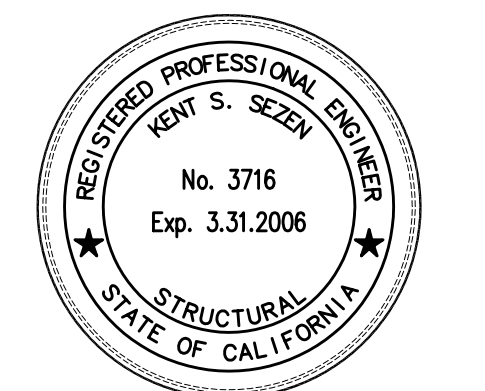
19



16



Roof Framing Plan



**Bascom Retail**  
**New Comercial Building**  
 Corner of Jewell Drive and Bascom Avenue, San Jose, CA

JE Architects  
 1155 Meridian Ave., Ste. 208  
 San Jose, CA 95125-4331  
 408-265-5255

April 6, 2005

Revisions

No.	Description
06/15/05	Plan Check 01

Project Number: 1817-04 Drawn By: Sezen

Designed By: Sezen Checked By: Moon

Sheet Title:  
**Roof Framing**

Sheet Number:  
**S4.0**